

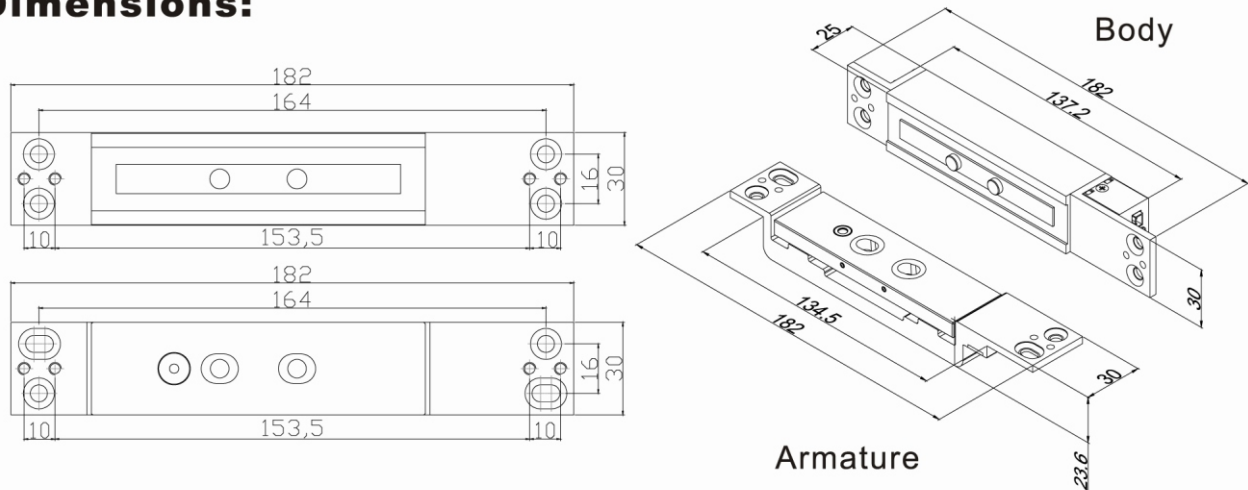


**SL-1200 Shear Lock
Installation Manual**

Specifications:

1. Compact size and easy to install.
2. Micro controller with door opening delay and door sensor output functions.
3. Suitable for 90° or 180° door open aluminum or wooden doors.
4. Relock function will activate to lock the door automatically (maximum 60 times per session) when the door is not locked properly.
5. Auto adjustable power supply 12/24V.
6. Maximum holding force up to 1200kg. Maximum magnetic distance up to 5mm (@24V).
7. Two long locking holes at cater corners of the armature are able to fine adjust both armature and body when they are installed.

Dimensions:

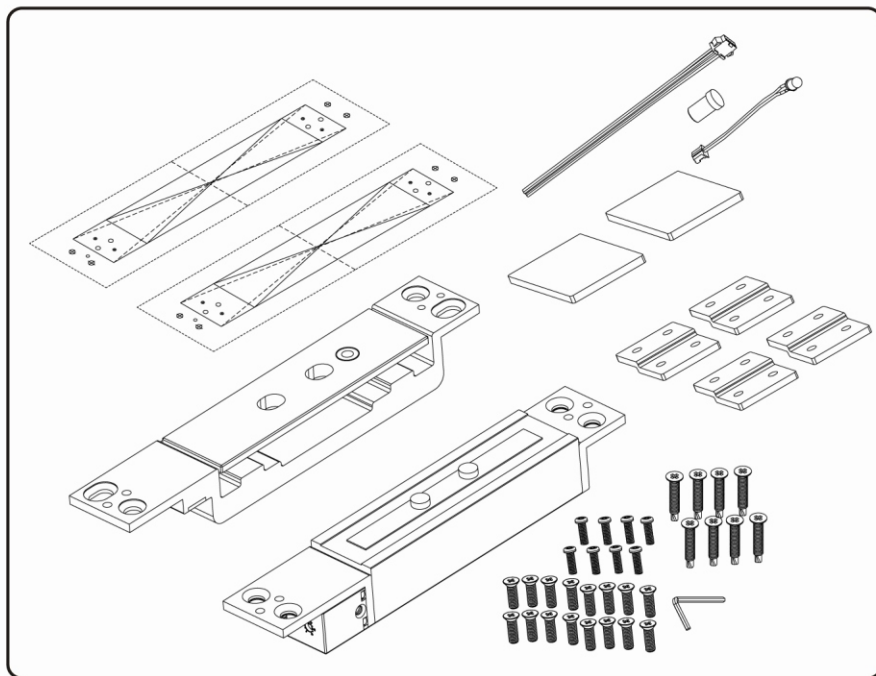


Specifications:

	SL-1200	Notes
Power Input	DC 12V/ DC 24V	±15%
Operation Current	Operation Current:900mA(min) /12VDC Holding Current: 220mA/12VDC	± 5%
	Operation Current:900mA(min) /24VDC Holding Current: 190mA/24VDC	±5%
Monitor Output	N.O. & N.C.	Hall Effect Sensor
Operation Delay Time	0.5 Sec.- 25 Sec.	
Max. Shear Holding Force	1200Kg(26001bs.)	
Operation Temperature	-30℃~50℃	
Warranty	1 year under normal circumstances	
Weight	1.2Kg	
Magnetic Distance(Max.)	3.0mm @12V / 5.0mm @24V	



Parts:

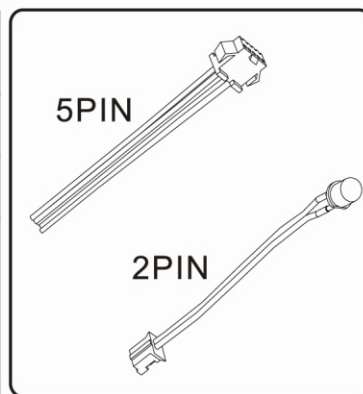


Accessories:

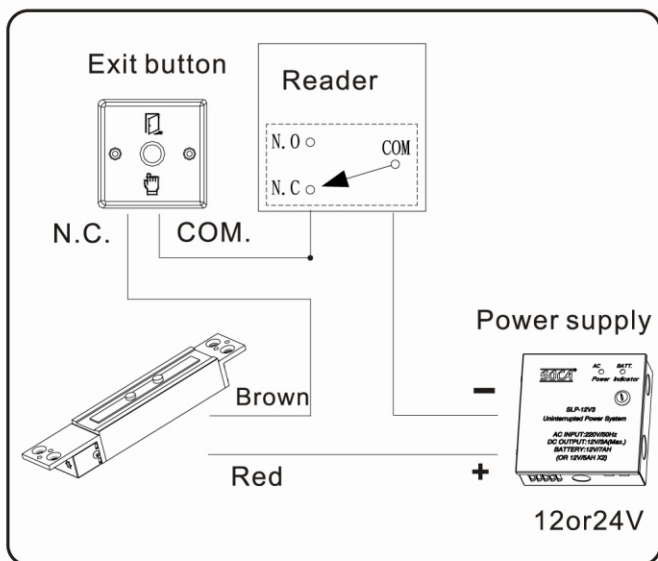
Type	Quantity
Screw M5X8	16
Screw M5X25	8
Screw M4X12	8
M3 Allenkey	1
Shims	4
Plastic Board	2
Indicator Light Cap	1
Led Connector	1

Connections:

Model	5 PIN	Model	2 PIN
Brown	GND -	Black	Status LED Output
Red	GND +	Brown	Status LED Output
Orange	Door Positions Sensor N.O.		
Yellow	Door Positions Sensor COM.		
Green	Door Positions Sensor N.C.		



Wiring Diagram



Panel Diagram

